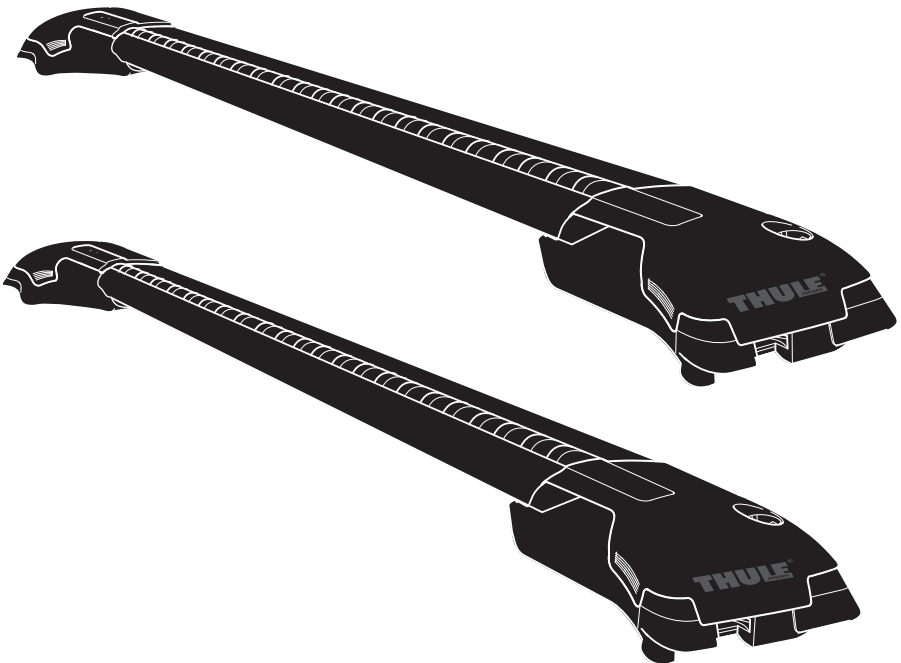
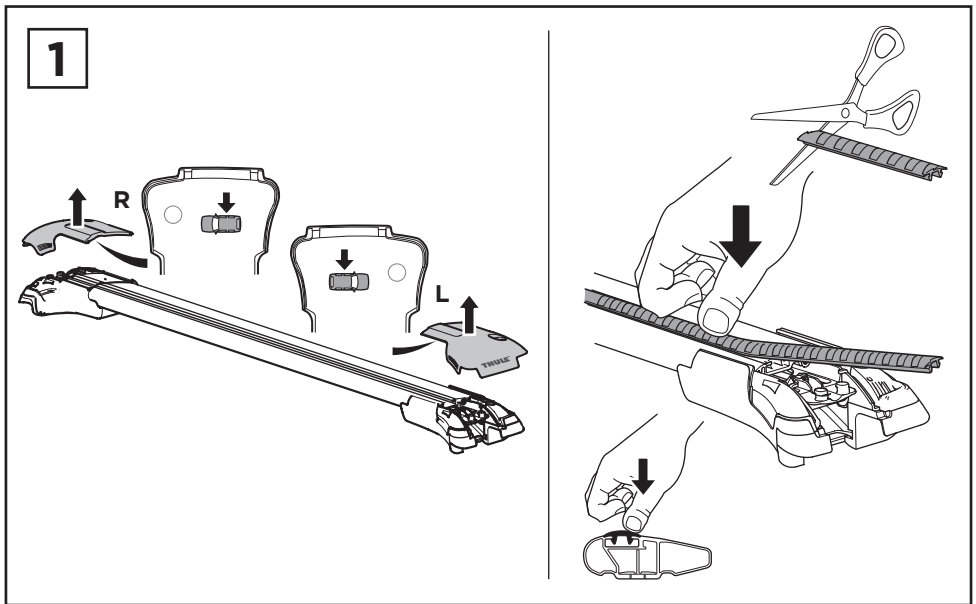
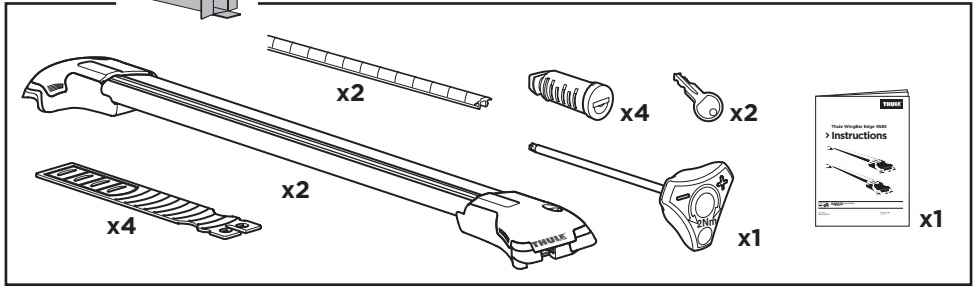
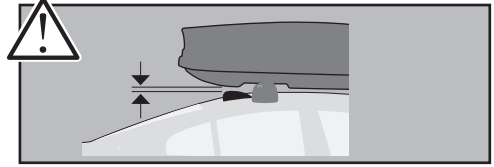
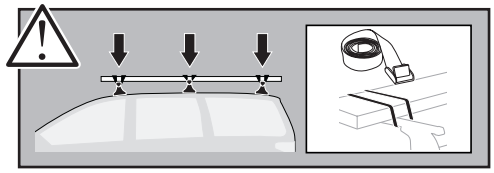
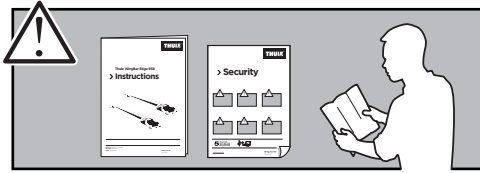
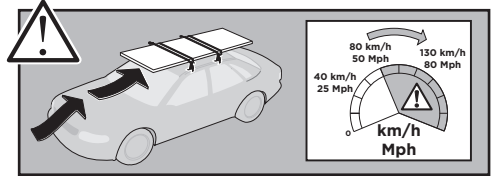
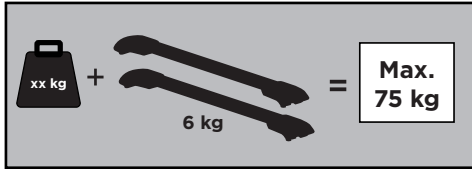


# Thule WingBar Edge 958X

## > Instructions

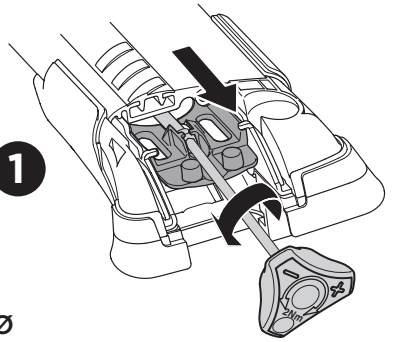
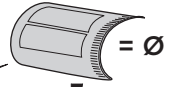
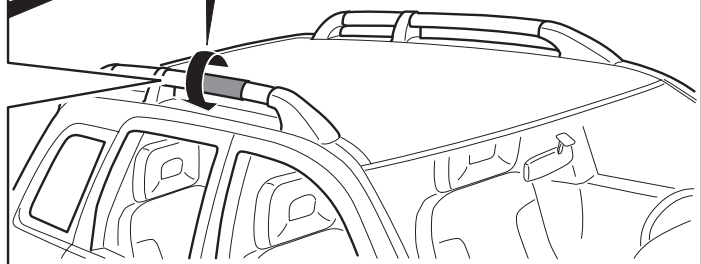
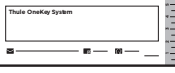
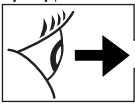
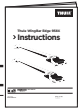
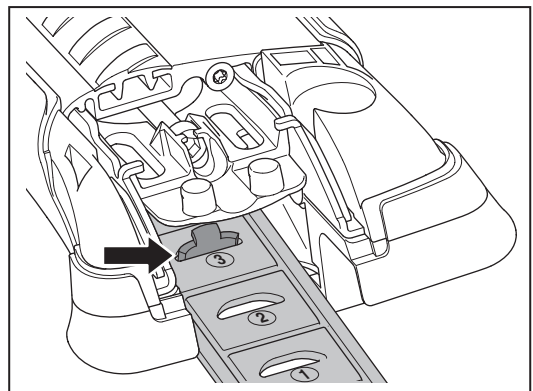
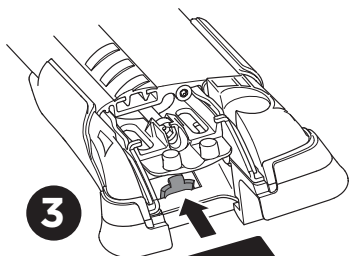


**CITY CRASH** ISO 11154-E  
Complies with ISO norm



**2**

x2

**1****2****i****3**

4

3

2

1



Rail Ø

Hole

79-107 mm

1

107-135 mm

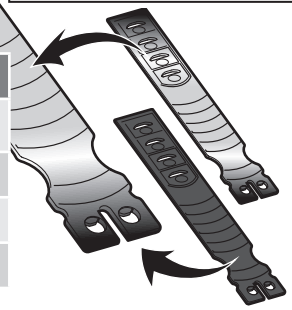
2

135-163 mm

3

163-192 mm

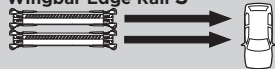
4



**i**

**958100**

**Wingbar Edge Rail S**



**958400**

**Wingbar Edge Rail S/M**



**958200**

**Wingbar Edge Rail M**



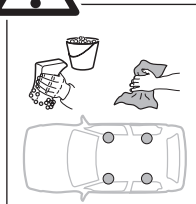
**958500**

**Wingbar Edge Rail M/L**

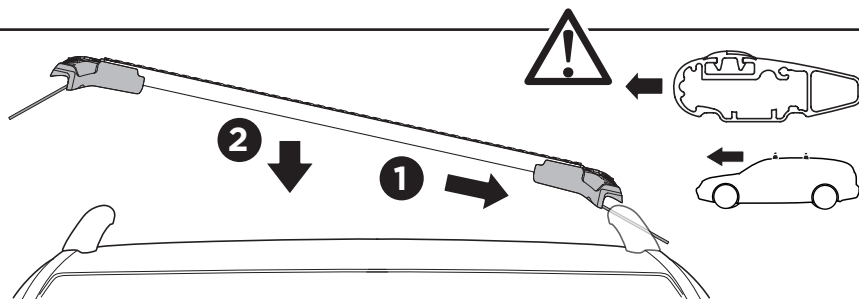


**958300**

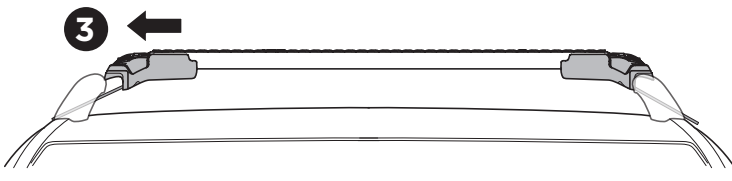
**Wingbar Edge Rail L**



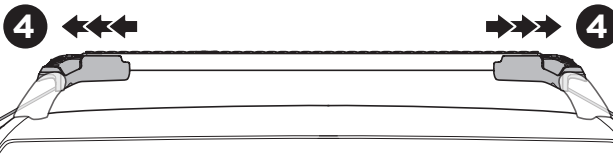
**3**



**3**

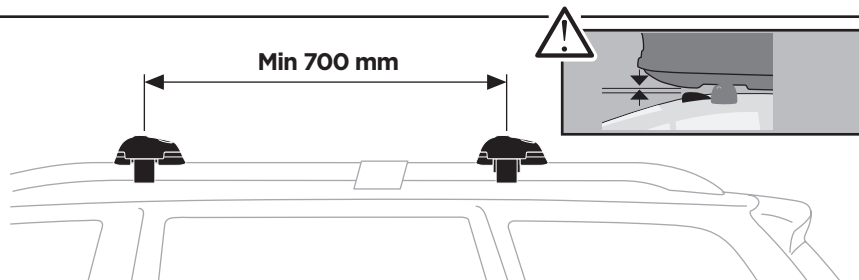


**4**

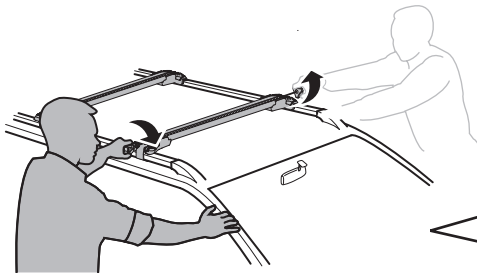
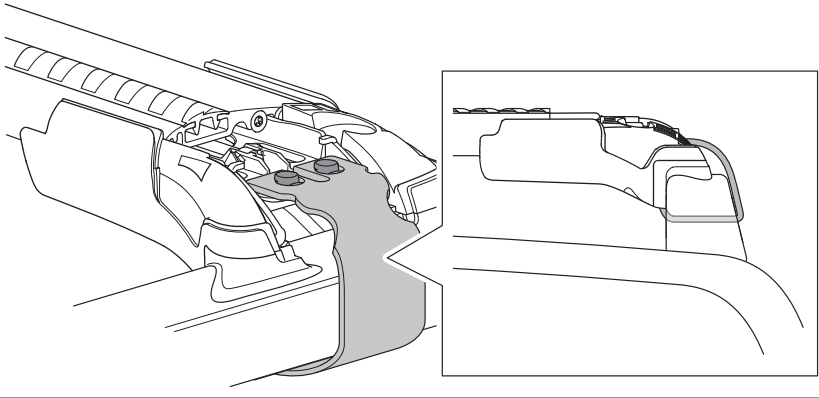


**4**

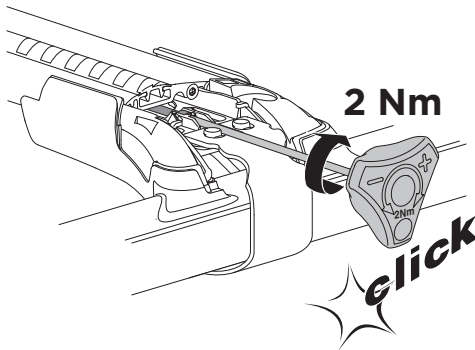
**Min 700 mm**



5



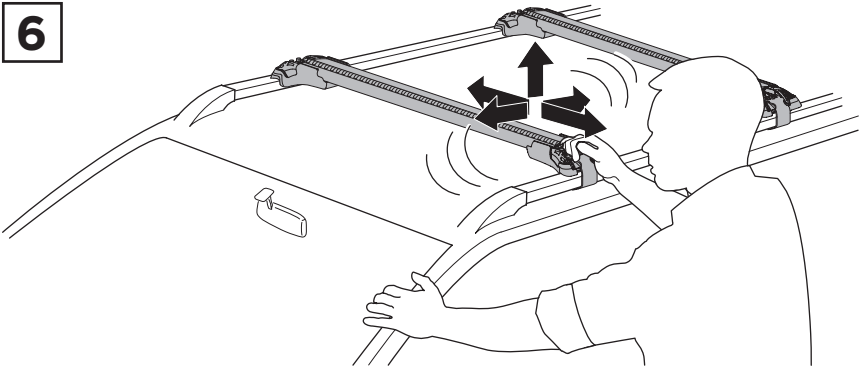
- EN** Tighten alternately
- DE** Die Schrauben abwechselnd anziehen
- FR** Serrer alternativement chaque côté
- NL** Afwisselend aan de linker- en de rechterkant aandraaien
- IT** Alternare il serraggio delle viti
- ES** Apretar alternativamente
- PT** Aperte alternadamente
- SV** Dra åt växelvis
- DK** Spænd skiftevis
- NE** Trekk til vekselvis
- FI** Kierrä vuorotellen
- ET** Pinguldage vaheldumisi
- LV** Pievelciet pamīšus
- LT** Užsukinėkite pakaitomis
- PL** Śruby dokręcaj naprzemiennie
- RU** Затягивайте попеременно
- UK** Затягти по чергово
- BG** Затегнете последователно
- CS** Pokrčtla bagažnika dokrčcaj dokrčcaj naprzemiennie.
- SK** Doťahujte striedavo
- SL** Privijajte izmenično.
- HR/BIH** Naizmjenično zategnite
- RO** Strângęți alternativ
- HU** Egymástól függetlenül szorítandó
- EL** Σφίγγετε εναλλάξ
- TR** Dönüşümlü sıkın



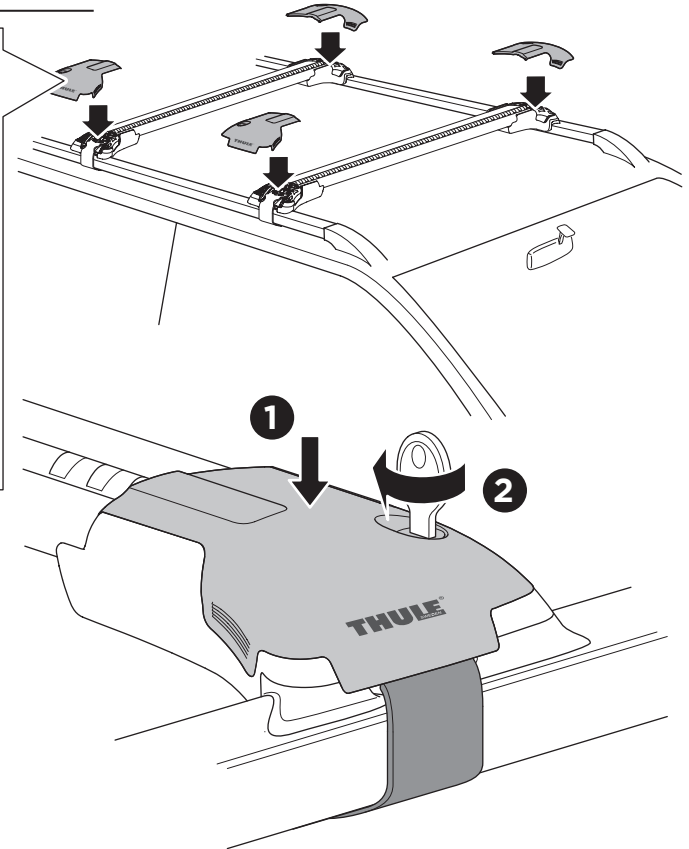
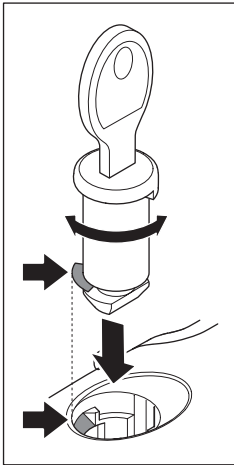
إحكام الربط بالتناوب **AR**  
חזק לסירוגין **HE**

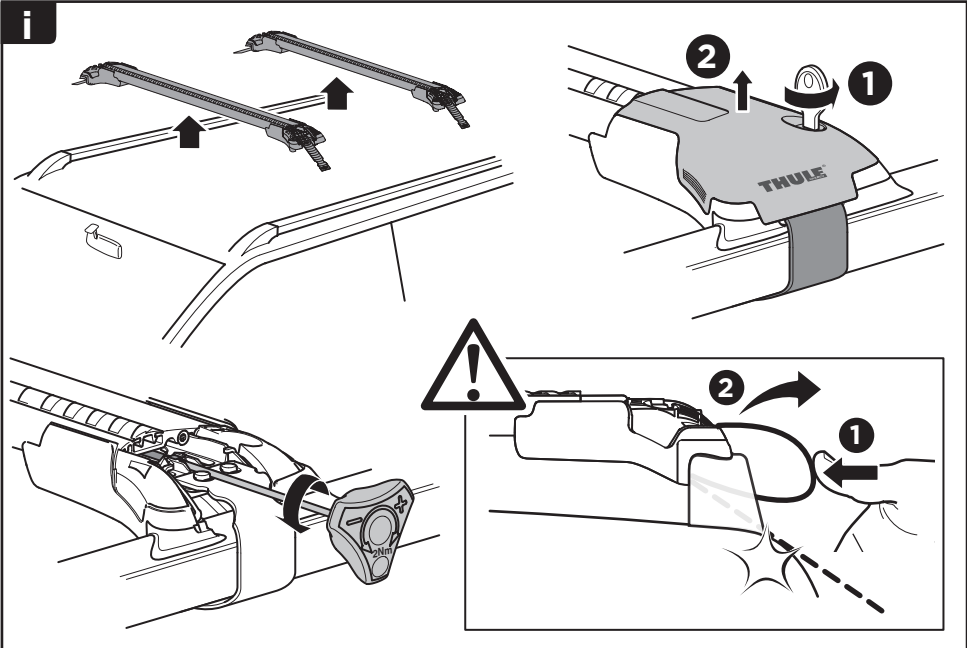
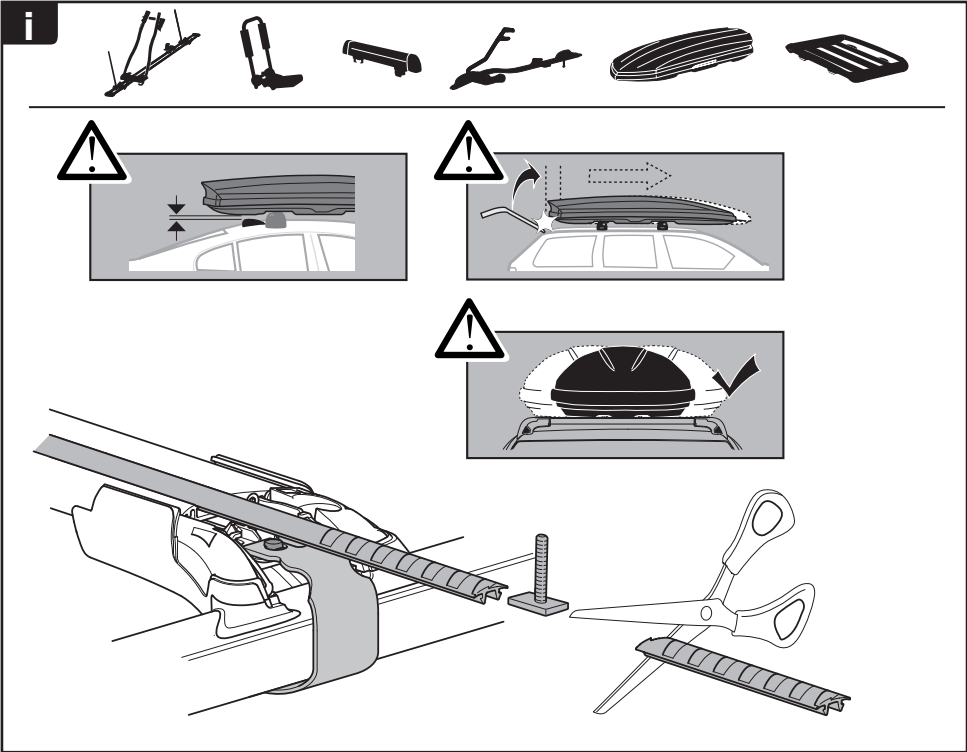
- ZH** 交替拧紧
- JA** 自動固定
- KO** 번갈아 조이기
- TH** ชั้้นโนแบบสลับ

6

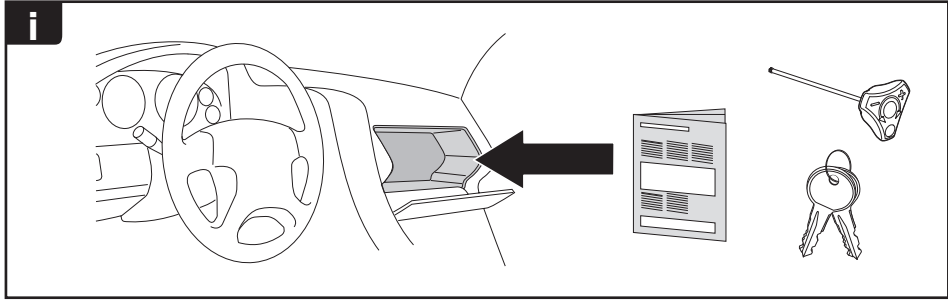
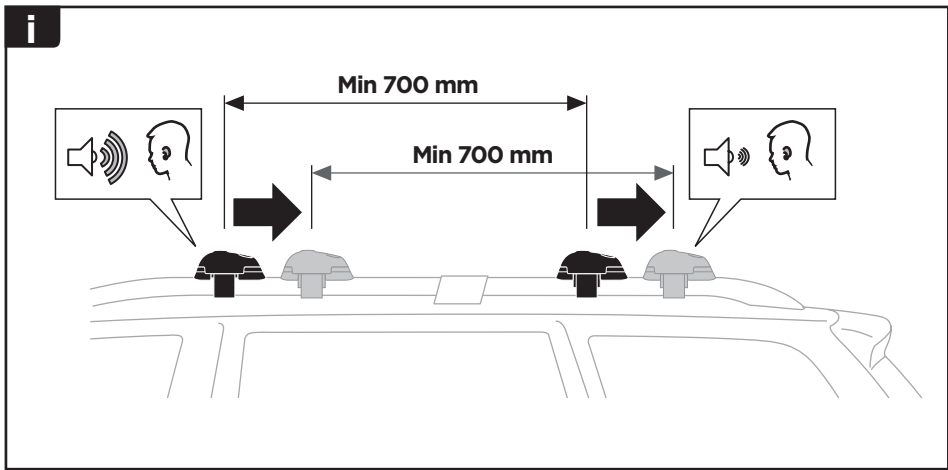


7





20  
19  
18  
17  
16  
15  
14  
13  
12  
11  
10  
9  
8  
7  
6  
5  
4  
3  
2  
1



### Thule One-Key System

- 544 (x4)
- 596 (x6)
- 588 (x8)
- 452 (x12)

The section displays the Thule One-Key System components. On the left is a large key with a circular head. To its right is a key fob. Below these are several accessories: a black padlock, a metal tube, a small black device, a metal bracket, a black rectangular device, and a cable with a connector. To the right of these items is a list of part numbers and quantities: 544 (x4), 596 (x6), 588 (x8), and 452 (x12). Each number is accompanied by a small icon of the corresponding component.